

US PRODUCT SHEET

# LIBERTY



Non contractual picture

AAE LIBERTY ADN US FFP



**ATELIER ALAIN ELLOUZ**  
PARIS

# TECHNICAL INFORMATION

<b>Type</b>	Pendant lights
<b>Environment</b>	Indoor
<b>Material</b>	Alabaster, leather and brass (LIBERTY canopies and suspension rings)
<b>Accessory</b>	A standard 4"x4" junction box cover is provided for an recessed installation
<b>Suspension system</b>	Leather-covered stainless steel wire ropes : min. 7,9" - max. 59" Lenght to adjust on site Additional length to order (Price upon request)
<b>Weight</b>	15 Kg
<b>Lighting system</b>	LED Strip 9,6W/m (2700K or 3000K) - Dimmable intensity - Remote transformer
<b>Voltage</b>	24 V : transformer provided
<b>Wattage</b>	LIBERTY A : 32 W - LIBERTY D : 35 W - LIBERTY N : 37 W
<b>Source lumens</b>	LIBERTY A : 1960 lm - LIBERTY D : 2100 lm - LIBERTY N : 2240 lm The alabaster diffuses between 40 and 60% of the light source lumens
<b>References</b>	LIBERTY A : COL-0362 LIBERTY D : COL-0363 LIBERTY N : COL-0364

## LIBERTY CANOPIES AND SUSPENSION RINGS FINISH

Included in the price of the luminaire

Satin brass  
ref: dcl-009



## STANDARD LEATHER FINISHES

Included in the price of the luminaire



Chocolate brown  
ref: dcl-133

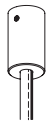


Cream  
ref: dcl-134

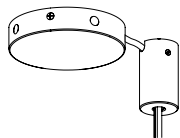
## FIXING SYSTEM

Included in the price of the luminaire

**LIBERTY canopies without connection canopy**  
Non compatible with US junction box  
Ø1,6" x 2,75



**LIBERTY canopies with canopy 120 with side hole**  
Compatible with the US junction box  
Ø4,7 x 1"



**Paint finish**

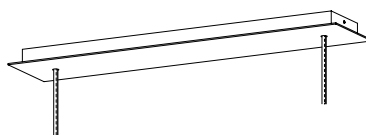


Mat white

## OPTIONAL FIXING SYSTEM

Price upon request

**Canopy**  
Compatible with the US junction box  
48 x 5,9 x 1,4"



**Paint finish**



Mat white  
ref: dcl-012

**Metal plating finish**



Satin brass  
ref: dcl-009

2 years warranty. General terms and conditions of sales.

# LIBERTY A

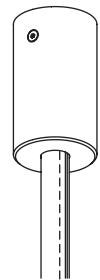


Non-contractual picture

	Minimum overall height	Maximum overall height
LIBERTY A1	32,5"	64,2"
LIBERTY A2	22,5"	69,5"
LIBERTY A3	22,5"	70"

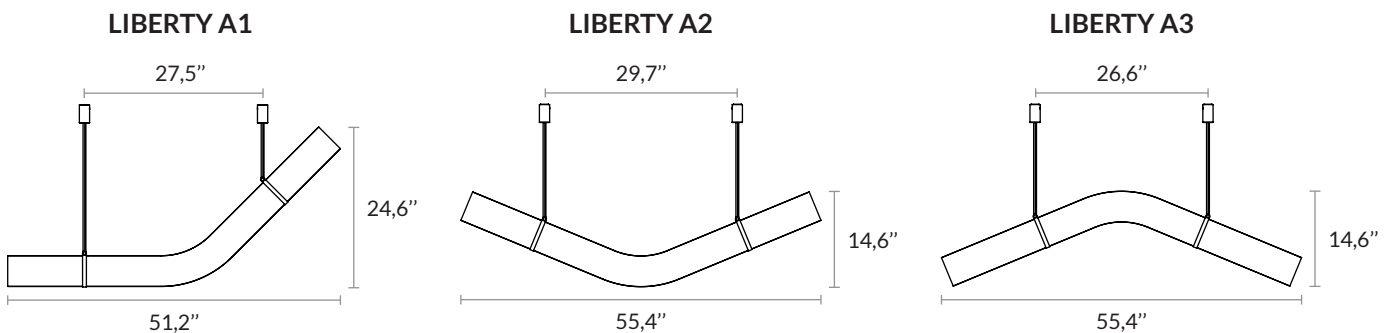
Canopies :

Dimensions :  
2,75 x Ø1,6"



## STANDARD POSITIONS

Included in the price of the luminaire



Please contact us for any request of custom-made ceiling plate.

# LIBERTY D

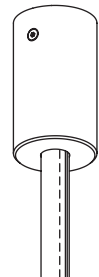


Non-contractual picture

	Minimum overall height	Maximum overall height
LIBERTY D1	20,2"	71,7"
LIBERTY D2	26,2"	68,6"
LIBERTY D3	26,2"	75"

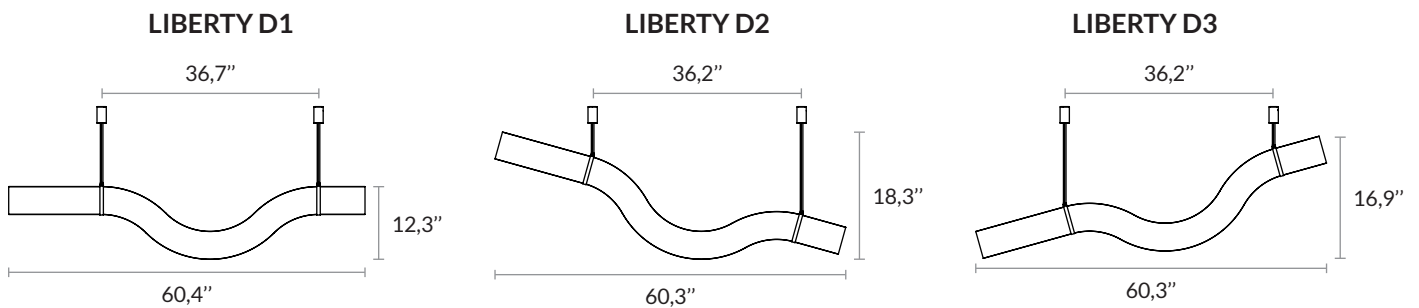
Canopies :

Dimensions :  
2,75 x Ø1,6"



## STANDARD POSITIONS

Included in the price of the luminaire



Please contact us for any request of custom-made ceiling plate.

# LIBERTY N

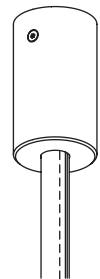


Non-contractual picture

	Minimum overall height	Maximum overall height
LIBERTY N1	31,3"	64,2"
LIBERTY N2	12,7"	64,2"
LIBERTY N3	19,9"	65"

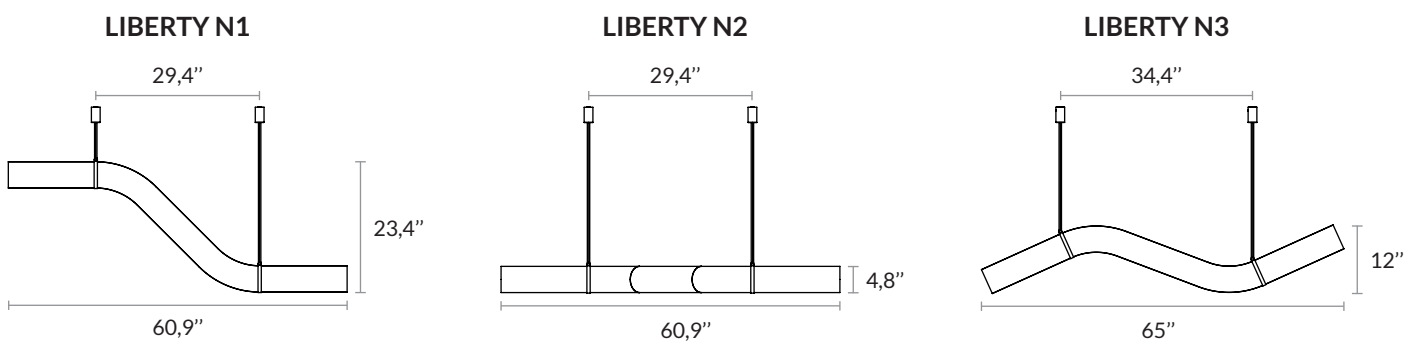
Canopies :

Dimensions :  
2,75 x Ø1,6"



## STANDARD POSITIONS

Included in the price of the luminaire



Please contact us for any request of custom-made ceiling plate.