

US PRODUCT SHEET

VERSAILLES

OVALE DOUBLE



Non contractual picture / Photographie non contractuelle.

AAE VERSAILLES OVALE DOUBLE US FP



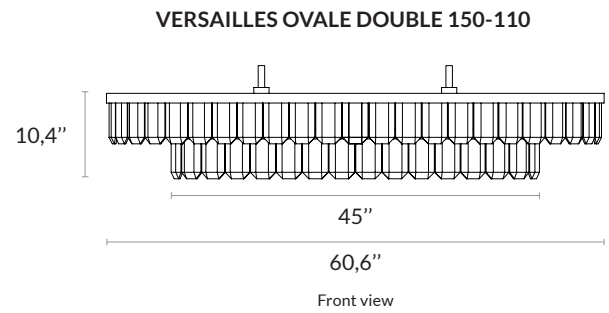
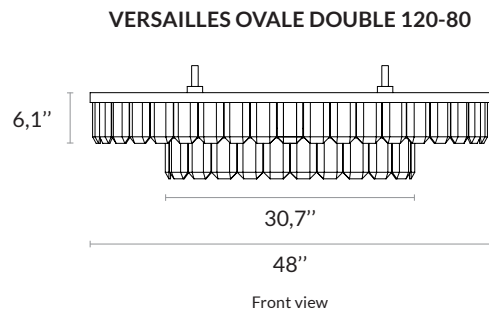
ATELIER ALAIN ELLOUZ
PARIS

Type	Chandelier
Environment	Indoor
Material	Crystals 5,9" x 4" and steel
Suspension system	Ceiling plate or false ceiling system and metal rod Ø 1" min h. 7,9"- max h. 78,7"
Lighting system	LED Strip 9,6W/m (2700K or 3000K) - Dimmable intensity Remote transformer or concealed in canopy
Voltage	24 V : transformer provided
Wattage	VERSAILLES OVALE DOUBLE 120-80 : 50 W VERSAILLES OVALE 150-110 : 70 W

References

	VERSAILLES OVALE DOUBLE 120-80	VERSAILLES OVALE DOUBLE 150-110
Polished gold	COL-0475	COL-0481
Antique brass	COL-0477	COL-0483
Polished stainless steel	COL-0479	COL-0485

Dimensions :



Weight :

154,3 lb / 70 Kg

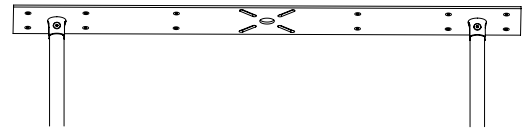
242,5 lb / 110 Kg

2 years warranty. General terms and conditions of sales.

FIXING SYSTEMS AND FINISHES

- **HIDDEN INDIVIDUAL FIXING**

System adapted to false ceilings for an aspect without a visible fixation (the rod comes out directly from the ceiling). The hole in the false ceiling can be finished with an eyelet .



- **VERSAILLES OVALE CANOPY**

Individual ceiling fixing.

29,5"W x 5,5"D x 1,26"H



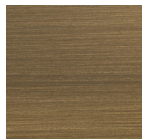
- **RODS AND CANOPY FINISHES**

Metal plating finish



Polished gold

ref: dcl-010



Antique brass

ref: dcl-005

Metal finish



Polished stainless steel

ref: dcl-003